

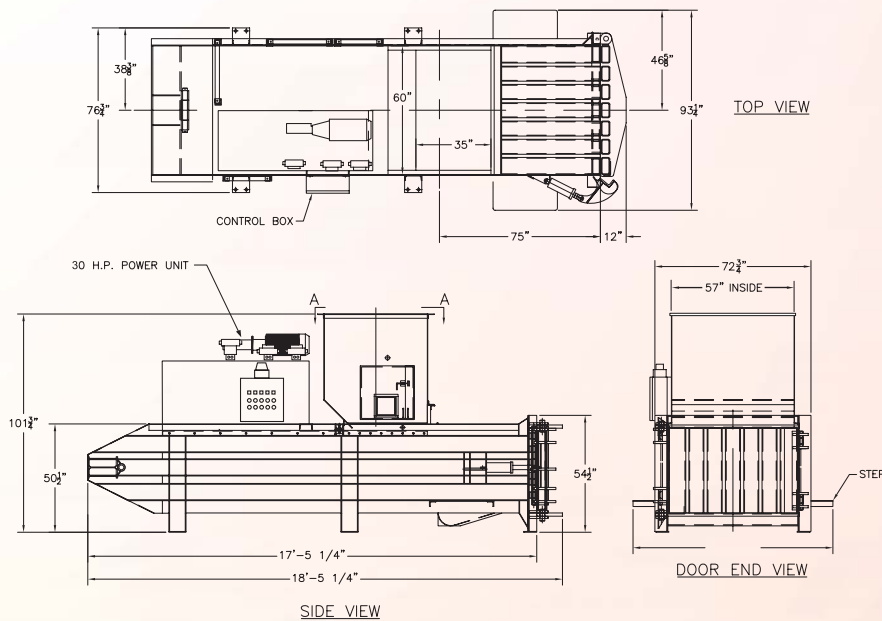


Whether you feed with a Cart Dumper, Conveyor, Hand, Bucket Loader & Grapple Hook, the HP-50 PATRIOT from PTR can handle the following materials:

- Newsprint
- Printers Mix
- Envelope Scrap
- Folding Cartons
- Plastics
- Film
- Foam
- Textiles
- Magazines
- Carpet Padding
- PET
- HDPE
- Aluminum, Steel & Tin Cans
- Radiators & Extrusions
- Copper & Brass
- Non Ferrous Metals
- OCC
- Trim



PTR PATRIOT HORIZONTAL BALER



Standard Motor	30 HP
Control Voltage	460 VAC, 3 phase
Control Panel	UL Listed
Pump	54 GPM
Cylinder Bore	8" Bore (203 mm)
Rod	5.5" Rod (139 mm)
Oil Reservoir Capacity	175 gallons (662 liters)
Standard Operating Pressure	3000 psi
Platen Force	150,720 lbs (68,365 kg)
Platen Pressure	85.8 psi
Cycle Time	34 seconds
Nominal Baler Size	30"H x 48"L x 60"W (762 mm x 1219 mm x 1524 mm)
Bale Weight (OCC)	Up to 1600 lbs (725 kg)
Baler Weight	18,995 lbs (8,616 kg)

Distributed by:



PTR's Vertical Balers meet or surpass all current ANSI Z245.5, OSHA, WEMI, ETL & U.L. Safety Standards. PTR reserves the right under its Product Improvement Program to modify construction and/or design details without reference to illustrations and/or specifications shown herein. Printed in the U.S.A. ©PTR Baler & Compactor

PTR PATRIOT

HORIZONTAL BALER



IDEAL FOR:

- RECYCLERS
- PRINTERS
- MANUFACTURES
- WAREHOUSES
- DISTRIBUTION CENTERS
- MAILING HOUSES
- BOTTLERS

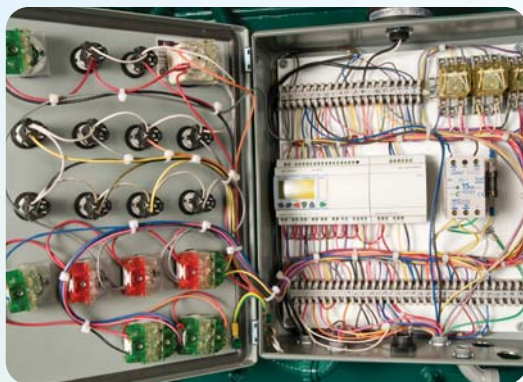


PATRIOT BALER BENEFITS:

- No Fluffing
- No Pre-Conditioning
- Wide Feed Opening
- Vertical Tie
- Competitive Cost
- Small Floor Space Required
- Full Ejection
- Full Penetration



Vertical Bale Tie



PLC controlled operation with 30 mm metal control switches



Serrated Blade for the ultimate in material shearing

PTR PATRIOT[★]

HORIZONTAL BALER



STANDARD FEATURES:

- Hydraulic Door Latch
- Left or Right Hand Hinge
- 30 HP, 460V TEFC Motor
- Removable & Adjustable Shear Blades
- Six Fully Guided Wire Tie Slots
- Automatic Bale Sizing System
- Adjustable Variable Bale Size Program
- Short Stroke Feature (Reduces Cycle Time)
- Nema 4 Controls
- Bale Made Remote Control Station
- PLC Controlled Operation
- Full A/R Sides & Floor
- Fast Cycle Time
- Removable Bale Wire Tie Chute Assembly
- Tongue & Groove Floor
- Retainer Dogs
- Heavy Duty Construction
- Warranty: 3 Yr Structural / 2 Yr Parts / 1 Yr Labor

ENGINEERED WITH DURABILITY & RELIABILITY IN MIND!

- AWS Certified Welders
- A/R Plates
- Single Cylinder Design
- Adjustable Guide Bars
- Twin Shear Blade Design
- Quiet Hi/Lo Energy Efficient Vane Pump
- 20 or 30 HP Motor
- Components Rated to 4,000 PSI
- Full Penetrating Ram Eliminates the Need to Prep Materials
- Complete Bale Ejection Allows for Quick Multi-Material Baling Process and Material Changeover
- 8" Cylinder Provides Dense Bales
- Can Be Fitted with Above Ground or Pit Conveyor Systems